



FOR USE WITH PANDUIT® SURFACE RACEWAY ROUTING SYSTEM

TWO GANG SNAP TOGETHER JUNCTION BOX

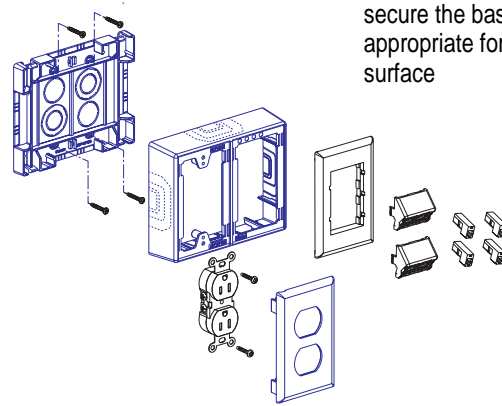
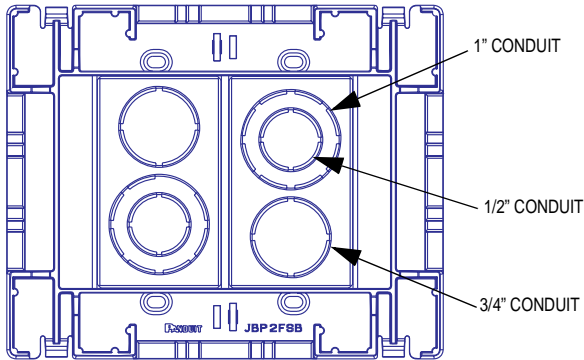
Part Number: JBP2FS

INSTALLATION INSTRUCTIONS

©Panduit Corp. 1999

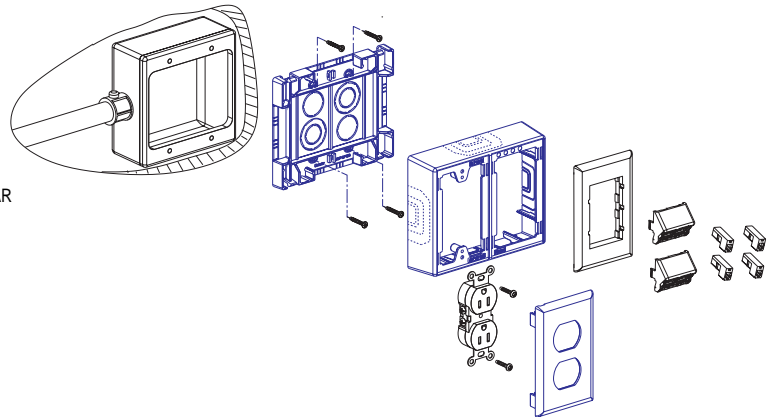
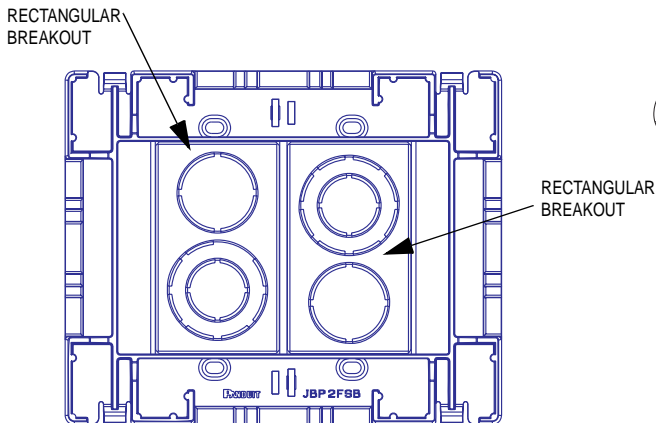
Made in U.S.A.

CONDUIT APPLICATION

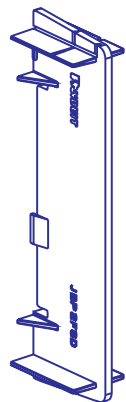
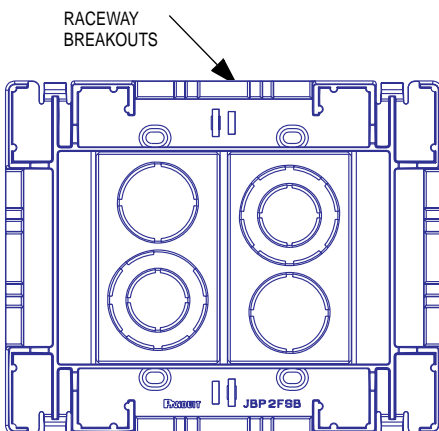


The mounting hardware used to secure the base shall be appropriate for the mounting surface

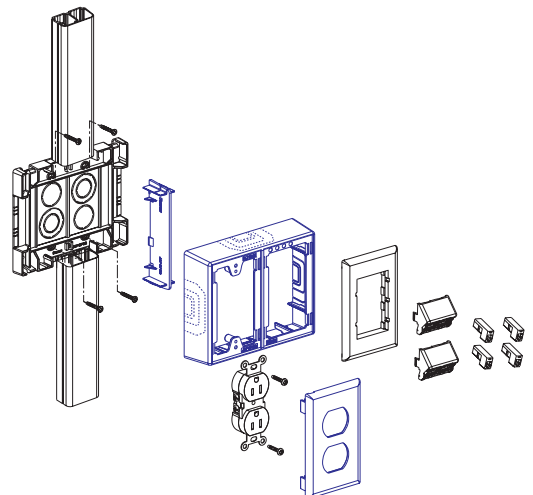
IN-WALL BOX APPLICATION



POWER/DATA APPLICATION



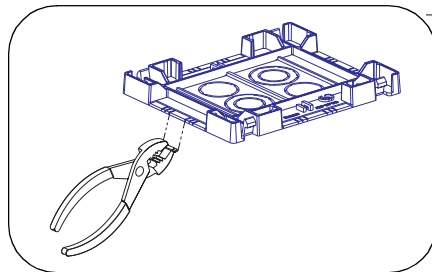
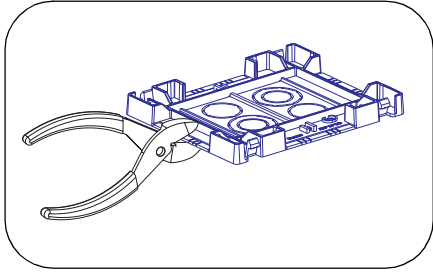
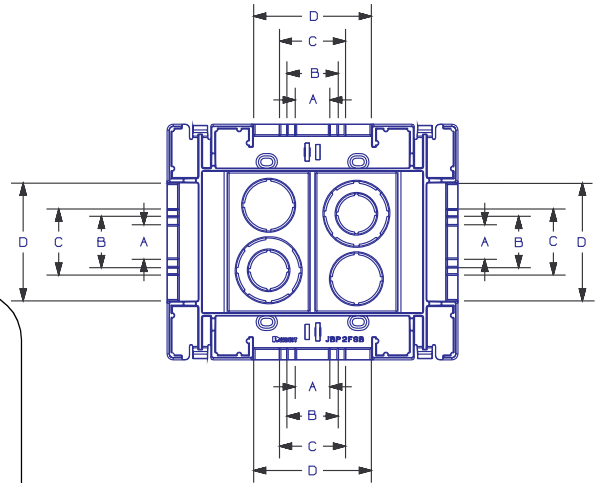
DIVIDER



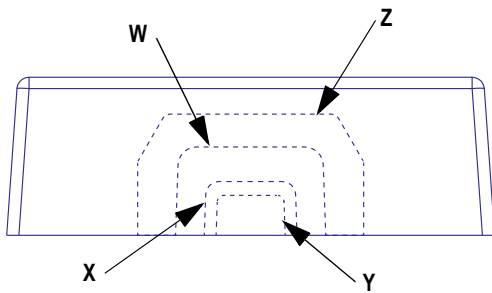
POWER JUNCTION BOX INSTALLATION INSTRUCTIONS

BASE BREAKOUTS

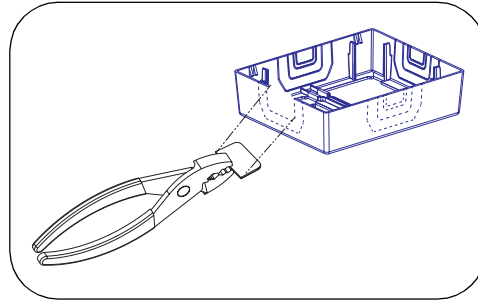
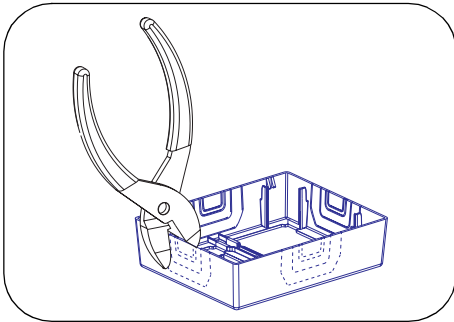
BASE	RACEWAY
A	LDP3, LDS3, LD3, CD3, PD3
B	LDP5, LDS5, LD5, CD5, PD6
C	LDP10, LD2P10, LD10, CD10
D	T45



COVER BREAKOUTS



COVER	RACEWAY	ADAPTER
W	LDP10, LD2P10, LD10, CD10	-
W	PD3	BA3 *
W	PD6	BA6 *
X	LD5, LDP5, LDS5, CD5	-
Y	LD3, LD3S, LDP3, CD3	-
Z	T45	-



DIVIDER WALL BREAKOUTS

